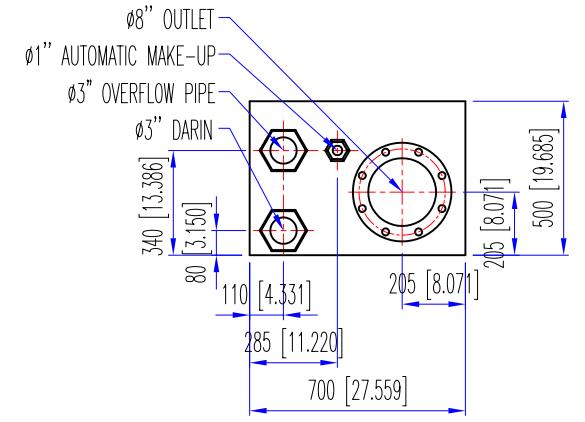
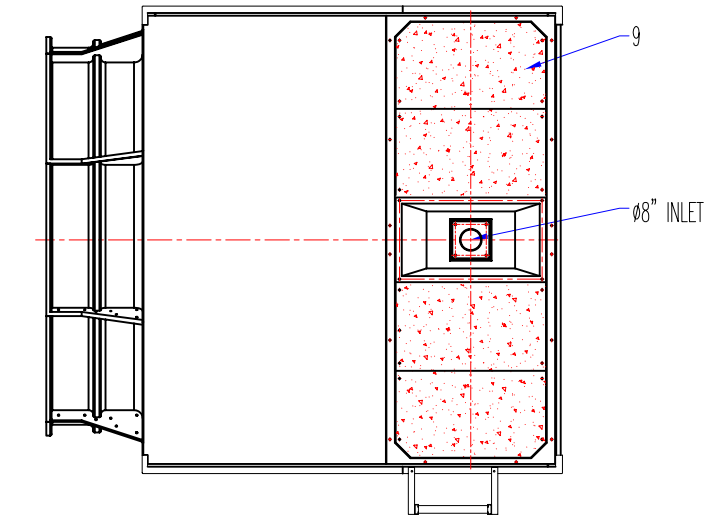


ITEM	PARTS NAME	SPEC / MATERIAL
1	TOWER SUPPORT	HOT DIP GALV
2	BASIN	FRP
3	MOTOR	7.5kw/4P
4	FAN	ø94.488 / AL
5	BEARING BOX	
6	FAN STACK	FRP
7	SIDE PANEL	FRP
8	PVC ELIMINATOR	PVC
9	DISTRIBUTION TRAY	FRP
10	FAN GUARD	HOT DIP GALV
11	LADDER	HOT DIP GALV
12	SUMP TANK	FRP



DETAIL A 1:25

APPROVED	KM LIN	2007.06.30.	DWG TITLE: OVERALL DIMENSION		
CHECKED	HUANG	2007.06.30.	DWG DETAIL: FRS-150-7.5		
			DWG NO. ADRS-150-075-P0	SCALE	1:50
DRAWN	WEN	2007.06.30.	PROTEC COOLING TOWER INC		